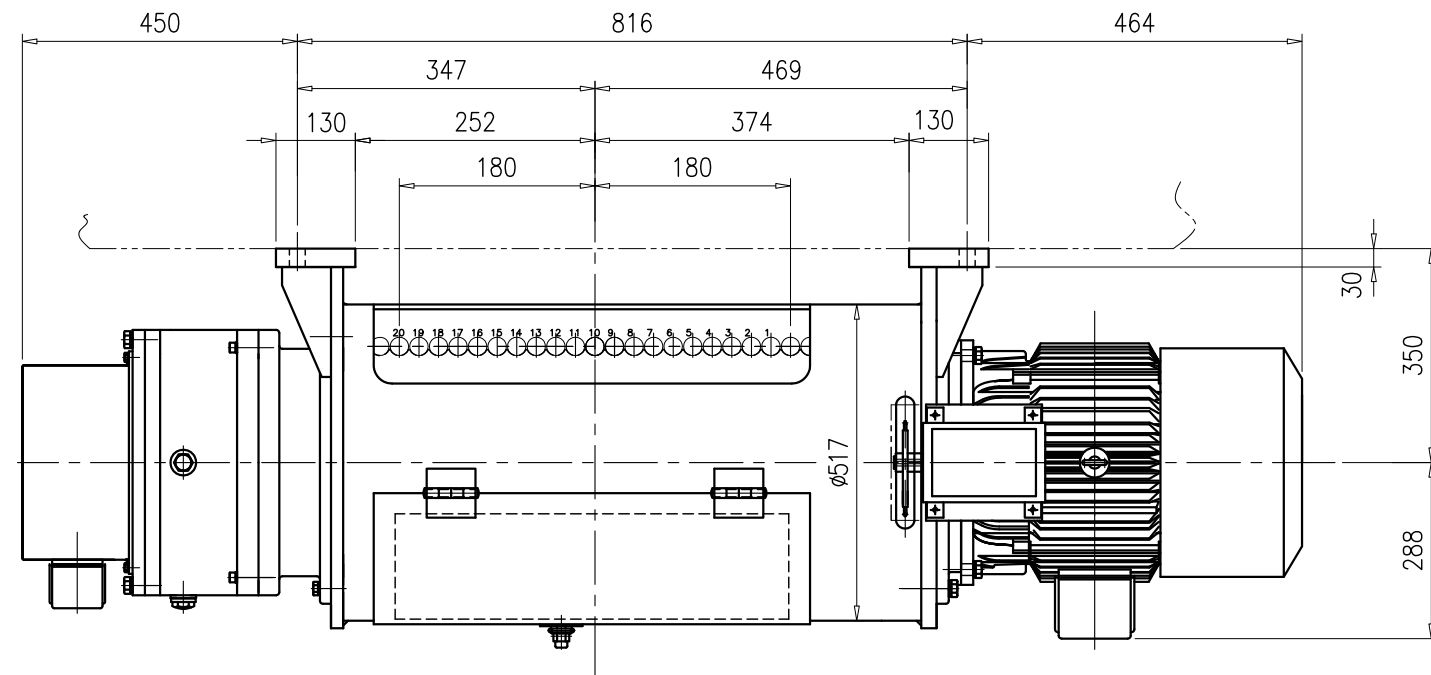
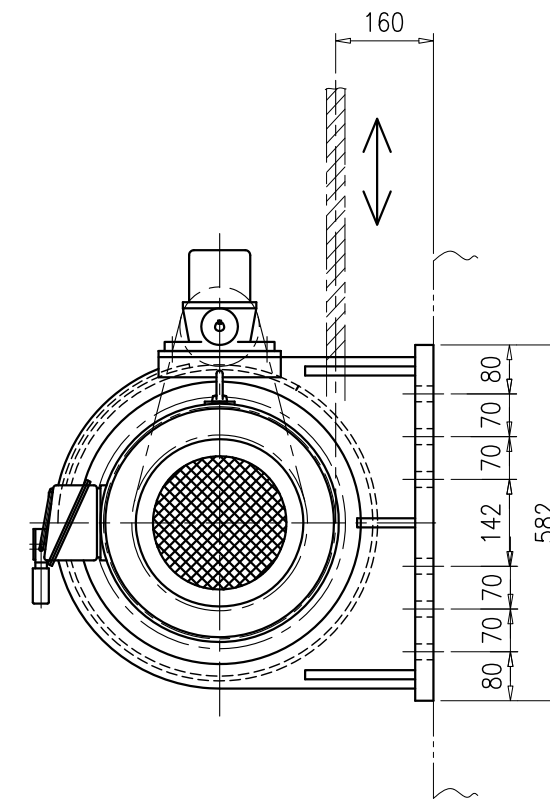
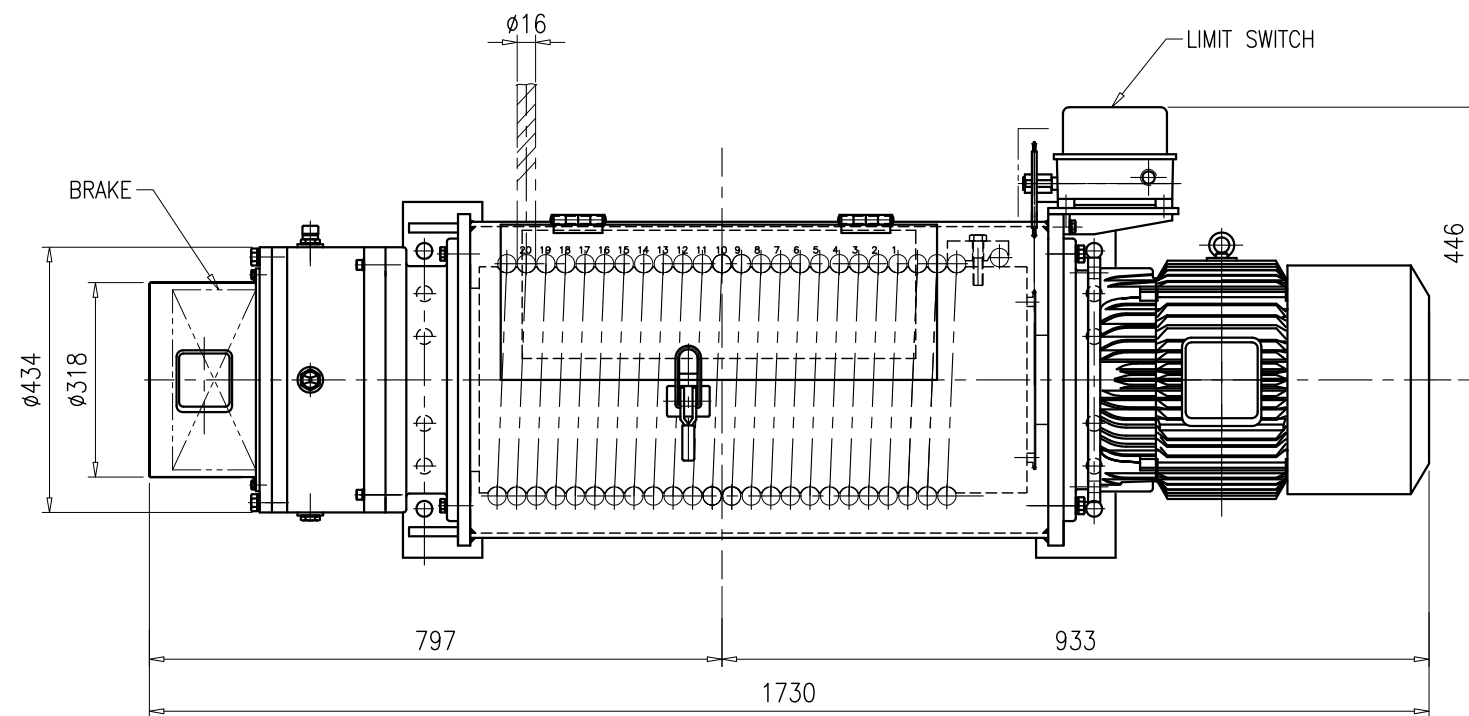


NO	DESCRIPTION	MAT'L	Q'TY	UNIT	TOTAL WEIGHT (kg)	REMARKS



SPECIFICATION	
MODEL	SHW-E-T030
LOAD (Max.)	3,000 kg
LIFTING	24 m
REDUCTION RATIO	1 / 192
LIFTING SPEED	고속 : 10 m/min 저속 : 5 m/min
LIFTING MOTOR	7.5 kw x 4P/8P
WIRE ROPE	φ16
LIFTING BRAKE	D.C MAGNET DISC BRAKE
POWER SOURCE	AC 3PH 440V 60Hz



SURFACE	Hmax(u)	3S	6S	12S	25S	50S

NO.	DATE	REVISIONS & DESCRIPTION	Drawn	Checked	Reviewed	Approved

		SCALE	N/S	DATE	-
PROJECT	-	DIM.	mm	PROJECTION	
TITLE	3TON WINCH		Customer	-	
Division	Checked	Reviewed	Approved	Division	Drawn
Signature				Signature	KHS
Date				Date	
DWG No.	A - SHM - EWT03 - 01		Cod No.		

